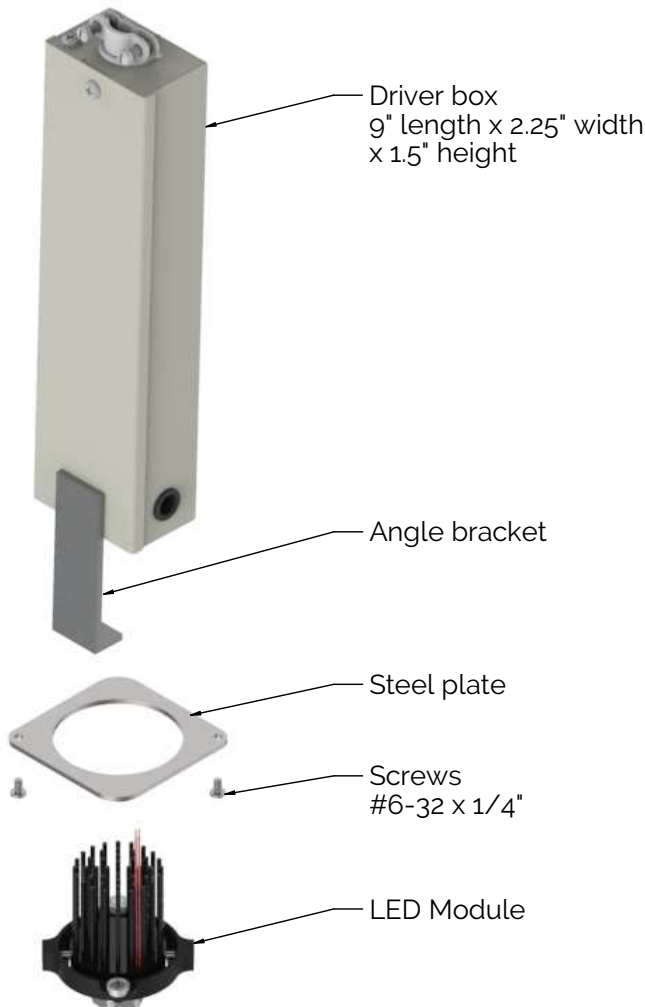
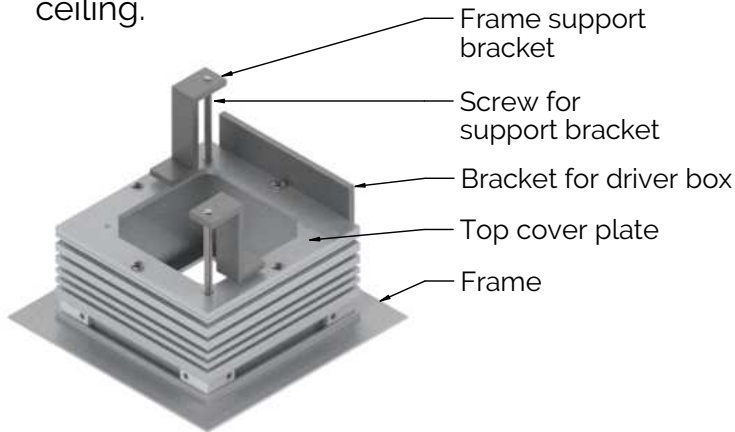
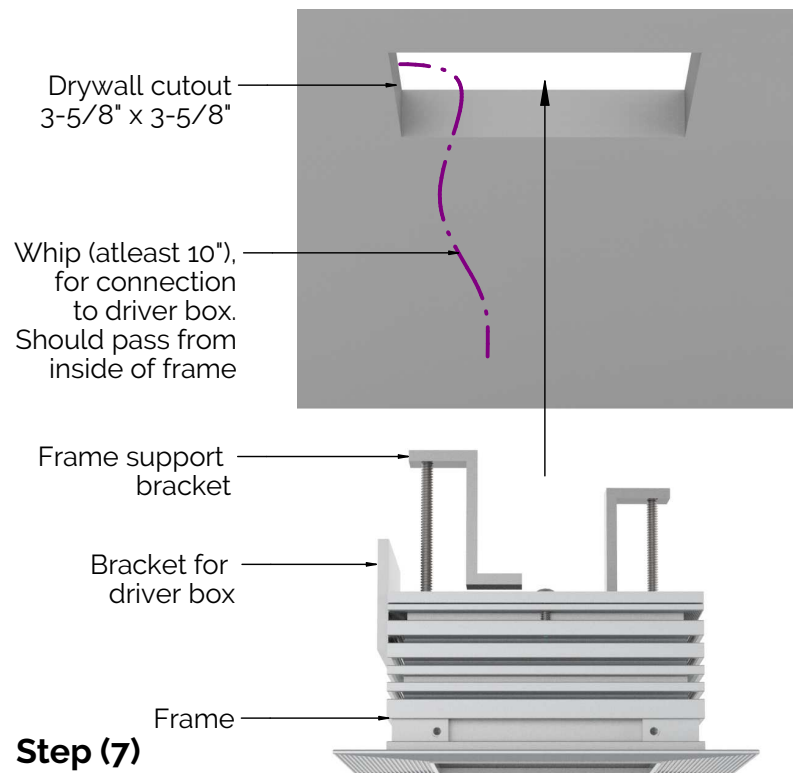


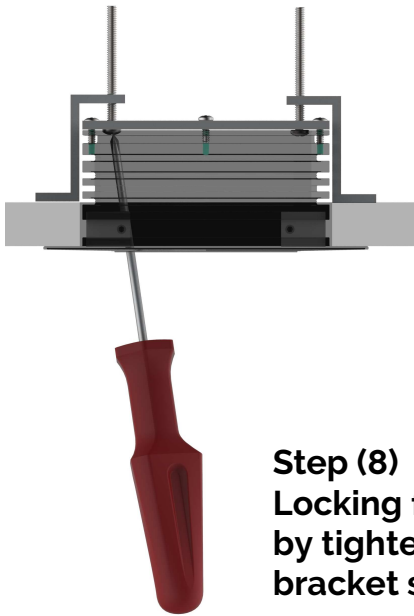
1. Disconnect electrical power from lighting circuit before installation.
2. CAUTION-RISK OF FIRE. This product must be installed in accordance with the applicable NEC/local installation code by a person familiar with the construction and operation of the product and the hazards involved.
3. Make sure LED drivers, Linear LED Modules and all other fixture components are present.
4. This installation assumes Class 2 two conductor wires have been run from fixture mount location to LED driver enclosure location. Make sure to have feed wire whip atleast 10" below ceiling.



5. LED driver enclosure must be installed in an accessible, dry and well ventilated location, using the screw holes provided in enclosure.
6. It is recommended to have atleast 14" straight clearance above drywall for easy access to driver box.
6. Make a square cutout of 3-5/8" in the drywall as per architect plan.
7. Insert the fixture frame into the cutout until the frame flange touches drywall. Make sure that support angles are lifted up and rotated inwards, so as to allow easy insertion.



Step (7) Inserting frame



Step (8)
Locking frame to drywall
by tightening the support
bracket screws

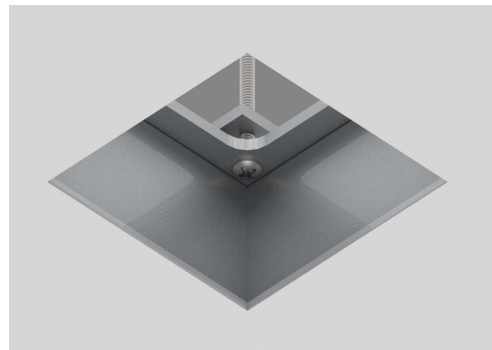
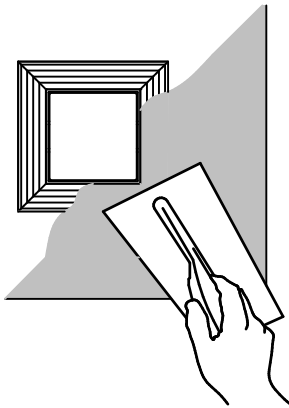


8. Rotate the support angle outwards from below using screw driver, such that they slide down and rest over the drywall. Tighten the support angle screws to screw the frame to drywall.

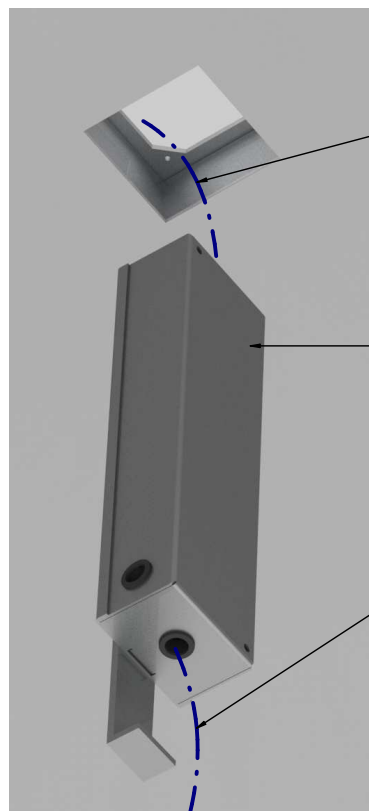
9. Apply mud to finish the ceiling for trimless frame.



Step (9)
Applying mud to trimless frame
for ceiling finish



Step (11)
Inserting driver box



Main power supply wire (whip)

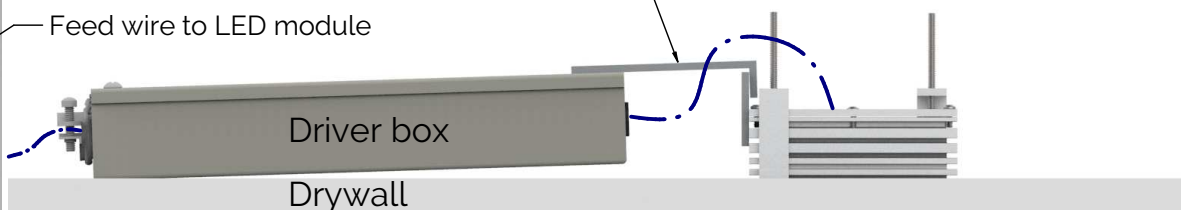
Driver box
9" length x 2.25" width
x 1.5" height

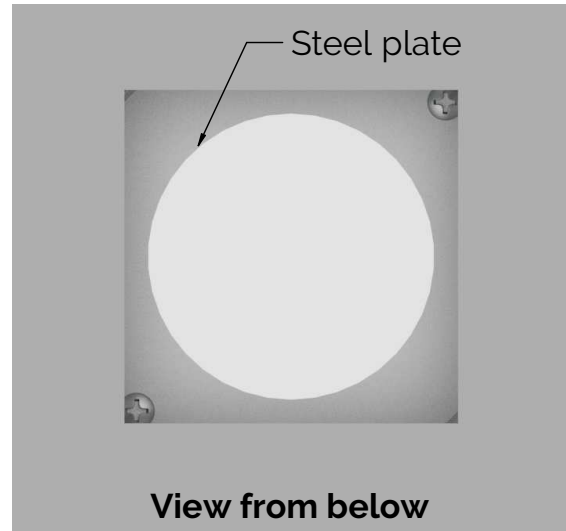
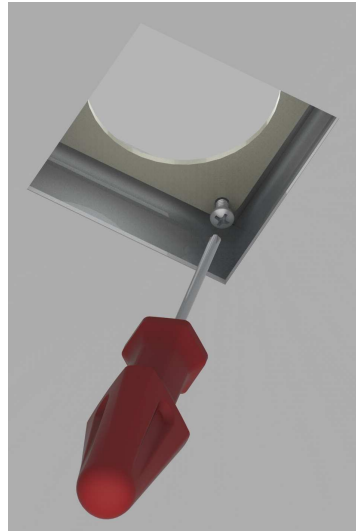
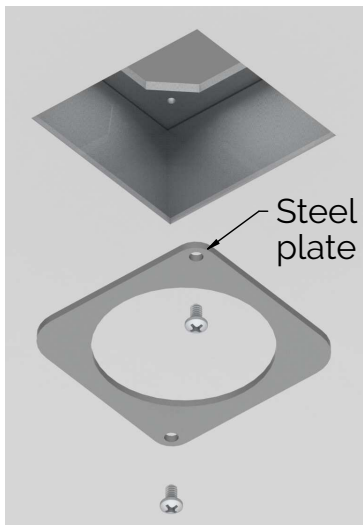
Feed wire to LED module

10. Make wire connection from LED driver to two conductor Class 2 wire (whip), running in ceiling with wire nuts (not included).

11. Place the driver box over the drywall as shown in image, by inserting through the installed frame cavity.

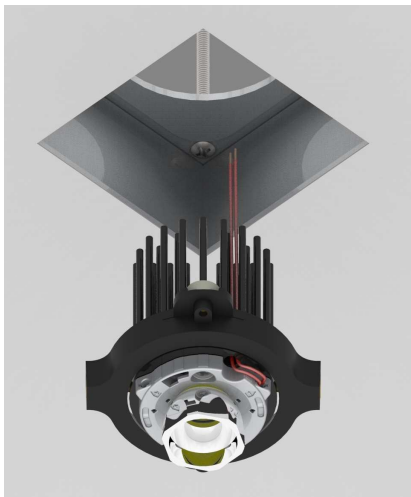
Angle bracket to rest over the bracket on the frame for ease of access (as shown)





Step (12). Installing Steel plate

12. Insert the steel plate into the frame and secure it to the top cover plate using (2) #6-32 x 1/4" pan head screws. Steel plate would need to be tilted for inserting into 2.5" x 2.5" opening.
13. Insert the LED module into the frame and the steel plate hole until magnets on the module snap to the steel plate by magnetic force. Make sure to center the LED module to the steel plate hole.
14. Make sure LED module is well secured to frame and there are no pinched or exposed wires.



Step (13) Inserting LED module

